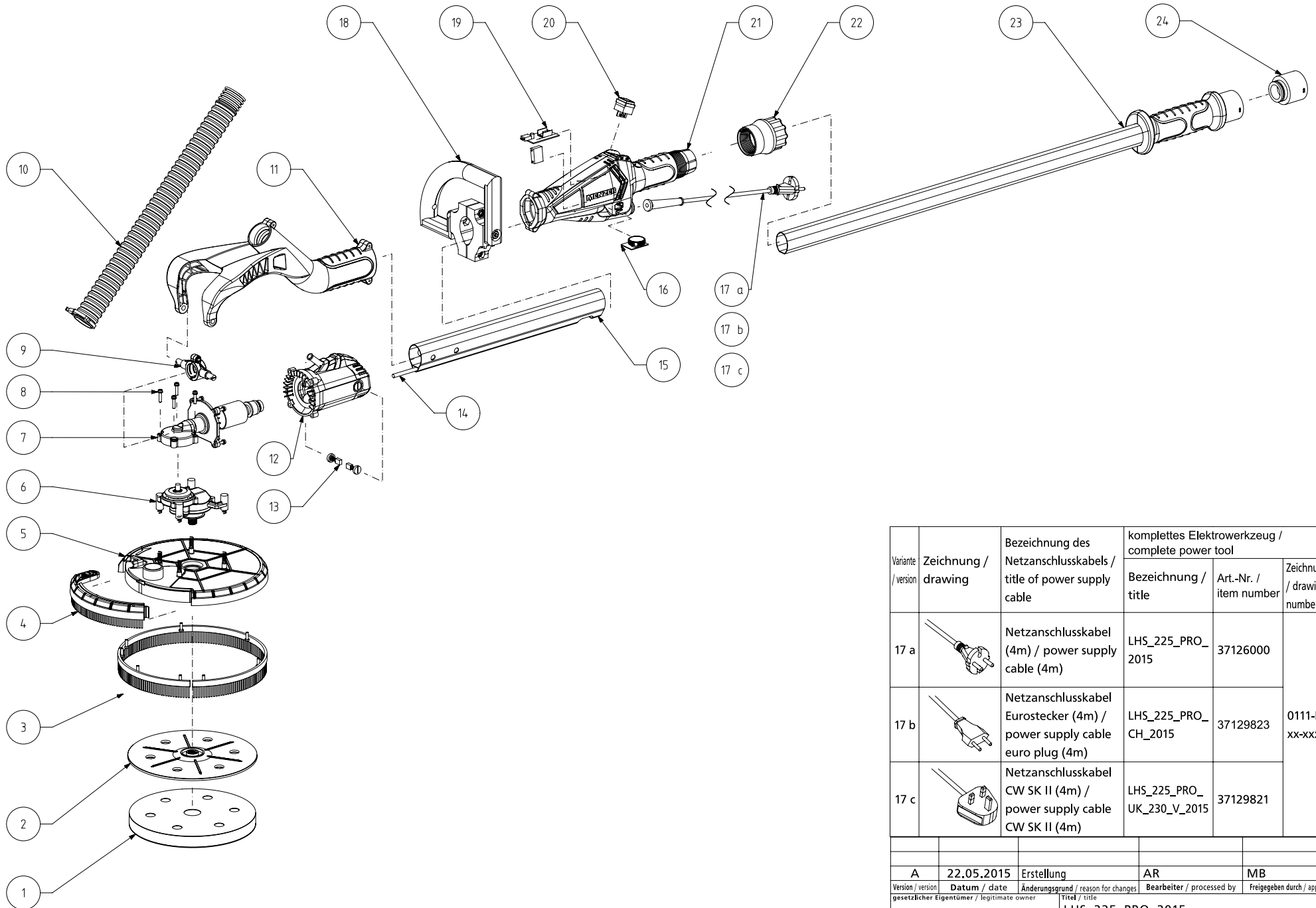


MENZER LHS 225 PRO

| Position | Name | Pcs. per unit |
|----------|---|---------------|
| 1 | hook & loop backing pad (225mm) soft | 1 |
| 2 | driving plate (225mm) change-pad | 1 |
| 3 | brush ring (225mm) 2-parts | 1 |
| 4 | removable grinding head front 1 (225mm) | 1 |
| 5 | driving plate cover 1 (225mm) | 1 |
| 6 | gear box | 1 |
| 7 | armature (1010W) | 1 |
| 8 | screw-set gear box | 1 |
| 9 | clamps | 1 |
| 10 | vacuum hose set 1 | 1 |
| 11 | rocker arm PRO | 1 |
| 12 | stator 1 PRO | 1 |
| 13 | carbon brush 1 | 1 |
| 14 | motor connecting wire (H05VV-F, 3x0,75mm ²) | 1 |
| 15 | main tube 2 | 1 |
| 16 | speed controller PRO | 1 |
| 17a | power supply cable (4m) | 1 |
| 17b | power supply cable euro plug (4m) | 1 |
| 17c | power supply cable CW SK II (4m) | 1 |
| 18 | extra handle | 1 |
| 19 | electronic 2 | 1 |
| 20 | on/off switch with dust protection | 1 |
| 21 | timing case PRO | 1 |
| 22 | fixing nut PRO | 1 |
| 23 | telescoping tube 2 PRO | 1 |
| 24 | lock connector | 1 |
| 25 | carrier bag 1 | 1 |
| | | |



| Variante / version | Zeichnung / drawing | Bezeichnung des Netzanschlusskabels / title of power supply cable | komplettes Elektrowerkzeug / complete power tool | | |
|--|---------------------|---|--|---------------------------------|--------------------------------|
| | | | Bezeichnung / title | Art.-Nr. / item number | Zeichnungsnr. / drawing number |
| 17 a | | Netzanschlusskabel (4m) / power supply cable (4m) | LHS_225_PRO_2015 | 37126000 | 0111-P01-xx-xxxxxx |
| 17 b | | Netzanschlusskabel Eurostecker (4m) / power supply cable euro plug (4m) | LHS_225_PRO_CH_2015 | 37129823 | |
| 17 c | | Netzanschlusskabel CW SK II (4m) / power supply cable CW SK II (4m) | LHS_225_PRO_UK_230_V_2015 | 37129821 | |
| A | 22.05.2015 | Erstellung | AR | MB | |
| Version / version | Datum / date | Änderungsgrund / reason for changes | Bearbeiter / processed by | Freigegeben durch / approved by | |
| gesetzlicher Eigentümer / legitimate owner | | Titel / title | | | |
| MENZER | | LHS_225_PRO_2015 | | | |
| | | Zeichnungsnummer / drawing number | | | |
| | | 0111-P01-06-000001 | | | |
| | | Artikelnummer / item number | | | |
| | | 37126000 | | | |