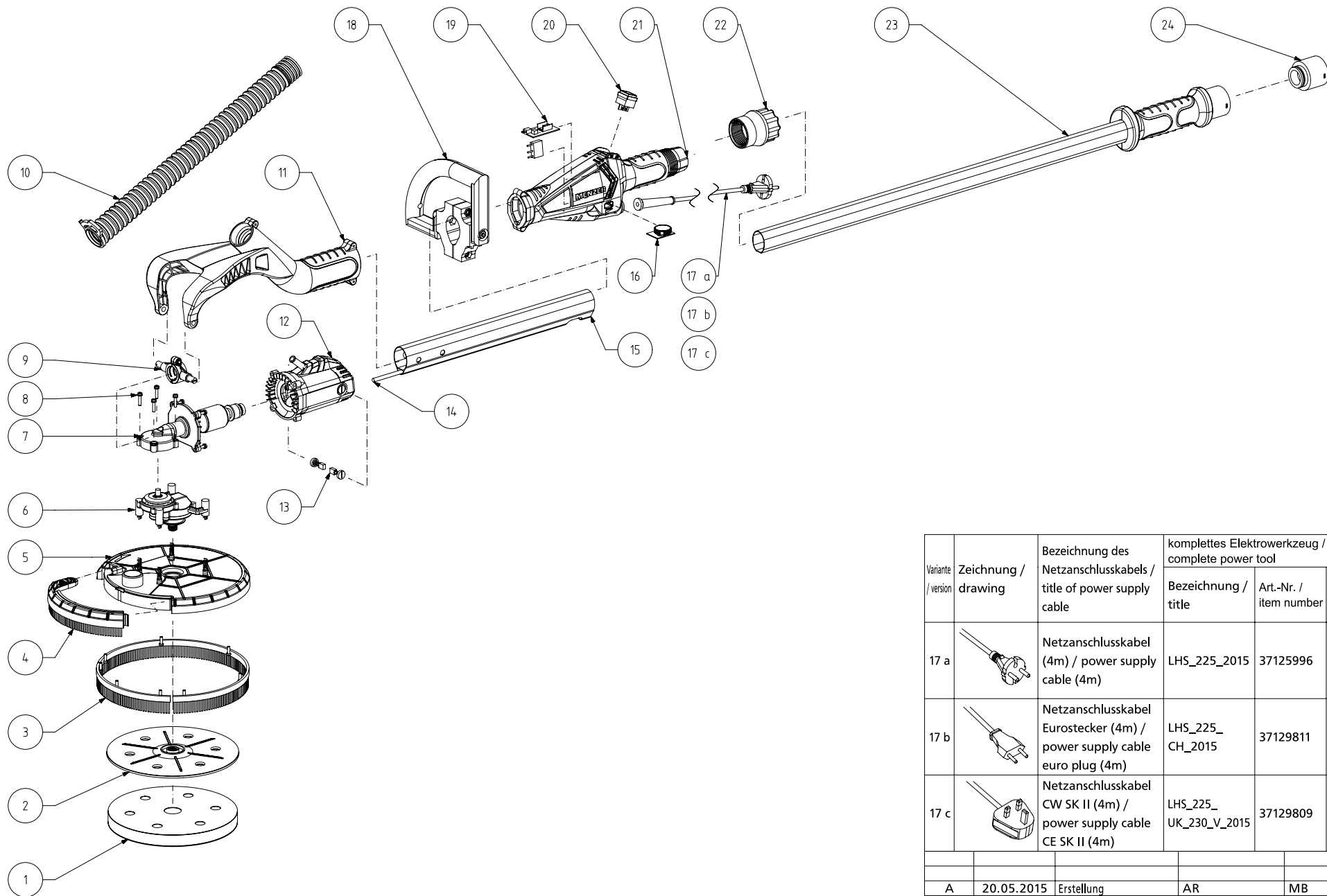


MENZER LHS 225

Position	Name	Pcs. per unit
1	hook & loop backing pad (225mm) soft	1
2	driving plate (225mm) change-pad	1
3	brush ring (225mm) 2-parts	1
4	removable grinding head front 1 (225mm)	1
5	driving plate cover 1 (225mm)	1
6	gear box	1
7	armature (710W)	1
8	screw-set gear box	1
9	clamps	1
10	vacuum hose set 1	1
11	rocker arm BASE	1
12	stator 1 BASE	1
13	carbon brush 1	1
14	motor connecting wire (H05VV-F, 3x0,75mm ²)	1
15	main tube 2	1
16	speed controller BASE	1
17a	power supply cable (4m)	1
17b	power supply cable euro plug (4m)	1
17c	power supply cable CW SK II (4m)	1
18	extra handle	1
19	electronic 1	1
20	on/off switch with dust protection	1
21	timing case BASE	1
22	fixing nut BASE	1
23	telescoping tube 2 BASE	1
24	lock connector	1
25	carrier bag 1	1



Variante / version	Zeichnung / drawing	Bezeichnung des Netzanschlusskabels / title of power supply cable	komplettes Elektrowerkzeug / complete power tool		
			Bezeichnung / title	Art.-Nr. / item number	Zeichnungsnr. / drawing number
17 a		Netzanschlusskabel (4m) / power supply cable (4m)	LHS_225_2015	37125996	0111-B01-xx-xxxxxx
17 b		Netzanschlusskabel Eurostecker (4m) / power supply cable euro plug (4m)	LHS_225_CH_2015	37129811	
17 c		Netzanschlusskabel CW SK II (4m) / power supply cable CE SK II (4m)	LHS_225_UK_230_V_2015	37129809	
A	20.05.2015	Erstellung	AR	MB	
Version / version	Datum / date	Änderungsgrund / reason for changes	Bearbeiter / processed by	Freigegeben durch / approved by	
gesetzlicher Eigentümer / legitimate owner			Titel / title		
MENZER			LHS_225_2015		
			Zeichnungsnummer / drawing number		
			0111-B01-06-000001		
			Artikelnummer / item number		
			37125996		